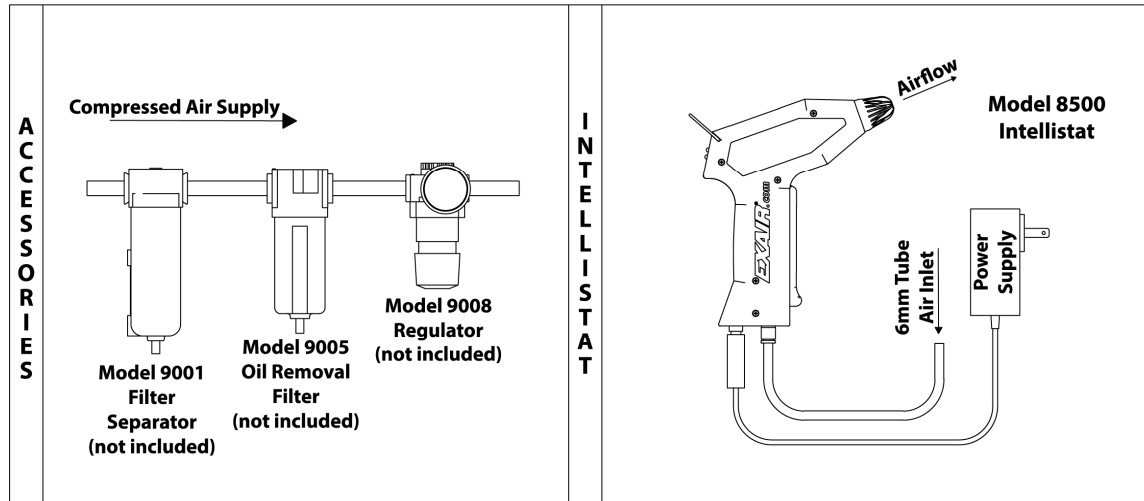


## INTELLISTAT ION AIR GUN™ INSTALLATION & MAINTENANCE



### Patent Numbers

US: Pat. D903817

EU: EU Regd. Des. No. 00770318-0001

Mexico and Canada: © EXAIR Corporation, Mexico No. 60723, Canada No. 194141

### COMPRESSED AIR SUPPLY

With proper filtration and separation of dirt, moisture and oil from the compressed air supply, the Intellistat Ion Air Gun will operate for years without clogging.

Use a 10 micron or smaller filter separator on the compressed air supply (Model 9001 Automatic Drain Filter Separator). To prevent problems associated with oil, use an oil removal filter (Model 9005 Oil Removal Filter). The oil removal filter should be used downstream from the automatic drain filter separator. Filters should be used close to each Intellistat Ion Air Gun, within 10 to 15' (3 to 4.6m) is best.

The Intellistat Ion Air Gun meets OSHA maximum dead-ended pressure requirements. It is designed to use normal shop air supplies of 5 to 100 PSIG (.3 to 6.9 BAR). For infinite control of flow and force, pressure may be regulated (Model 9008 Pressure Regulator).

### USING THE INTELLISTAT ION AIR GUN

Thread the 24V power supply cable into the electrical port on the handle of the Intellistat Ion Air Gun. Make sure the 3 pins are aligned before threading in completely. Select the appropriate outlet adapter for the 24V power supply, and plug it into your electrical outlet. Next, push the supplied 6mm airline into the air port on the handle of the Intellistat Ion Air Gun. Connect the other end to a source of clean dry compressed air. The Intellistat Ion Air Gun is now ready for operation.

To operate the Intellistat Ion Air Gun properly, hold it approximately 6 inches away from the surface to be neutralized and blown off. Aim the nozzle and pull the trigger. The air flow and ionization will begin simultaneously. The green LED on the back of the gun will illuminate to let the user know it is operating properly. If the red LED is illuminated, and the green LED is off, there is an issue. Refer to the troubleshooting section.

The Intellistat Ion Air Gun should be used at a point after the material has received its static charge. If the treated material is subjected to additional friction, it may build up another static charge and require additional ionization.

The Intellistat Ion Air Gun should be aimed so that the column of air flows across the material to be treated. The ionized air will eliminate the static charge from the surface it touches. Holding the Intellistat Ion Air Gun close to the surface will remove the charge rapidly and is ideal for smaller areas. When the static charge is extremely high, it may be necessary to ionize all surfaces of the part.

**The Intellistat Ion Air Gun Should Not Be Used In An Explosive Or Flammable Area.**

**TROUBLESHOOTING & MAINTENANCE**

**If There Is A Reduction In Flow Or Force From The Intellistat Ion Air Gun**, check the pressure by installing a gauge at the compressed air inlet of the Intellistat Ion Air Gun. Large pressure drops are possible due to undersized lines, restrictive fittings and clogged filter elements.

**If the red light is illuminated and green light is off when pulling the trigger**, unplug the power supply from the wall. Unscrew the nozzle and make sure the area around the emitter, and the emitter itself are clean. Reassemble and try again. If the red light is still on, contact an application engineer.

**For replacement or repair filter and regulator parts, contact EXAIR at 1-800-903-9247 or [techhelp@exair.com](mailto:techhelp@exair.com). Call (513) 671-3322 for outside the US and Canada.**

**CLEANING**

The best method to determine how well the Intellistat Ion Air Gun is working is with the Model 7905 Static Meter. The static meter is easy to use and will accurately display the charge on a surface without touching it. To do this, simply measure the charge on the surface before ionizing (power supply and air off). Then, ionize the surface (power supply plugged in and air on). Measure the surface again. A “zero” volt reading indicates that the Intellistat Ion Air Gun is working properly. If a charge is still present, this may indicate the need for cleaning.

Accumulation of light dust or dirt on the surface of the ionizing point will degrade the effectiveness of the ionizer. A simple cleaning operation added to your planned maintenance schedule can eliminate this potential performance problem. The frequency of cleaning required will depend upon the environment in which the ionizer is installed. Dirty industrial environments may require daily cleaning, while clean-room applications may require only monthly cleaning. It is important to evaluate the cleaning needs of each individual ionizer installation.

A dull or dirty emitter point will eventually cease to operate. The ionizing point can be cleaned with a small brush. Replacements are available for worn or damaged emitter points.

**Never Clean An Ionizer With The Power On!**

Periodic cleaning will keep the ionizer operating at peak performance for the life of the unit.

If you have any questions or problems, please contact:

**YOUR INFO HERE:**

Company Name

Telephone:

FAX:

E-mail:

Website:

