



ATEX EasySwitch® Wet-Dry Vac INSTALLATION & MAINTENANCE

NOTE – It is essential that all operators of the EXAIR ATEX EasySwitch read and comprehend the full contents of this Installation and Maintenance Manual prior to use.

TABLE OF CONTENTS

TABLE OF CONTENTS..... 1

INTENDED USE..... 2

GENERAL..... 3

 ILLUSTRATED SYSTEM, SPARE PARTS, & ACCESSORIES LIST 3

 VACUUM ATEX MARKING..... 5

 DEDICATED GROUNDING POSTS 6

 SAFETY WARNINGS, CAUTIONS, & NOTES..... 6

TECHNICAL SPECIFICATIONS..... 6

 SEAL & FILTRATION EFFICIENCY..... 6

 COMPRESSED AIR REQUIREMENTS 7

 FILTRATION SYSTEM..... 7

 GROUNDING & BONDING..... 8

 BONDING & CONTINUITY CHECKS 8

ROUTINE INSPECTION, SERVICE, & CLEANING 9

 ROUTINE BONDING & CONTINUITY CHECKS..... 9

 DRUM LID GASKET REPLACEMENT 10

 COLLECTION DRUM PREPARATION..... 11

 MUFFLER PACKING MATERIAL REPLACEMENT 12

WARNINGS FOR FORESEEABLE MISUSES 12

EU DECLARATIONS OF CONFORMITY 14

MATERIALS OF CONSTRUCTION..... 16

EQUIPMENT SETUP & OPERATION 16

 INITIAL SETUP..... 16

 OPERATION..... 17

 EMPTYING THE VACUUM & WASTE DISPOSAL 17

TROUBLESHOOTING..... 17

APPENDICES 18

 Appendix A – ATEX9041 Drum Dolly Assembly Instructions..... 18

 Appendix B – Vacuum Lid Assembly and Setup Instructions 19

INTENDED USE

The EXAIR ATEX EasySwitch Vacuum System is designed for the collection of dry, wet, or liquid materials in industrial and commercial environments. Typical applications include routine maintenance cleaning, workstation cleanup, and process waste collection in manufacturing, workshops, or production areas.

The EXAIR ATEX EasySwitch may be used in hazardous or sensitive environments, such as applicable ATEX-rated zones, when configured with appropriate filtration, grounding, and safety features. It is intended for portable use and should only be operated by trained personnel in accordance with the instructions provided in this manual.

NOTE – Regular housekeeping consisting of collecting combustible and flammable substances, which may be present or produced in the work area, is a good practice to avoid explosion hazards. For example, it is recognized that the accumulation of 1mm of combustible dust on surfaces in a working area is enough to create an explosive atmosphere.

CAUTION – Do not use flammable gas to operate the ATEX EasySwitch Vacuum System.

WARNING – Do Not Use for Combustible Liquid Recovery.

This vacuum system is designed for use in environments containing **explosive dusts and explosive gases**, in accordance with ATEX requirements.

While the system is capable of handling **dry and non-flammable wet materials**, it is **not approved for the recovery of flammable or combustible liquids**, including **liquids with low flash points** (e.g., solvents, fuels, alcohols, or other volatile substances).

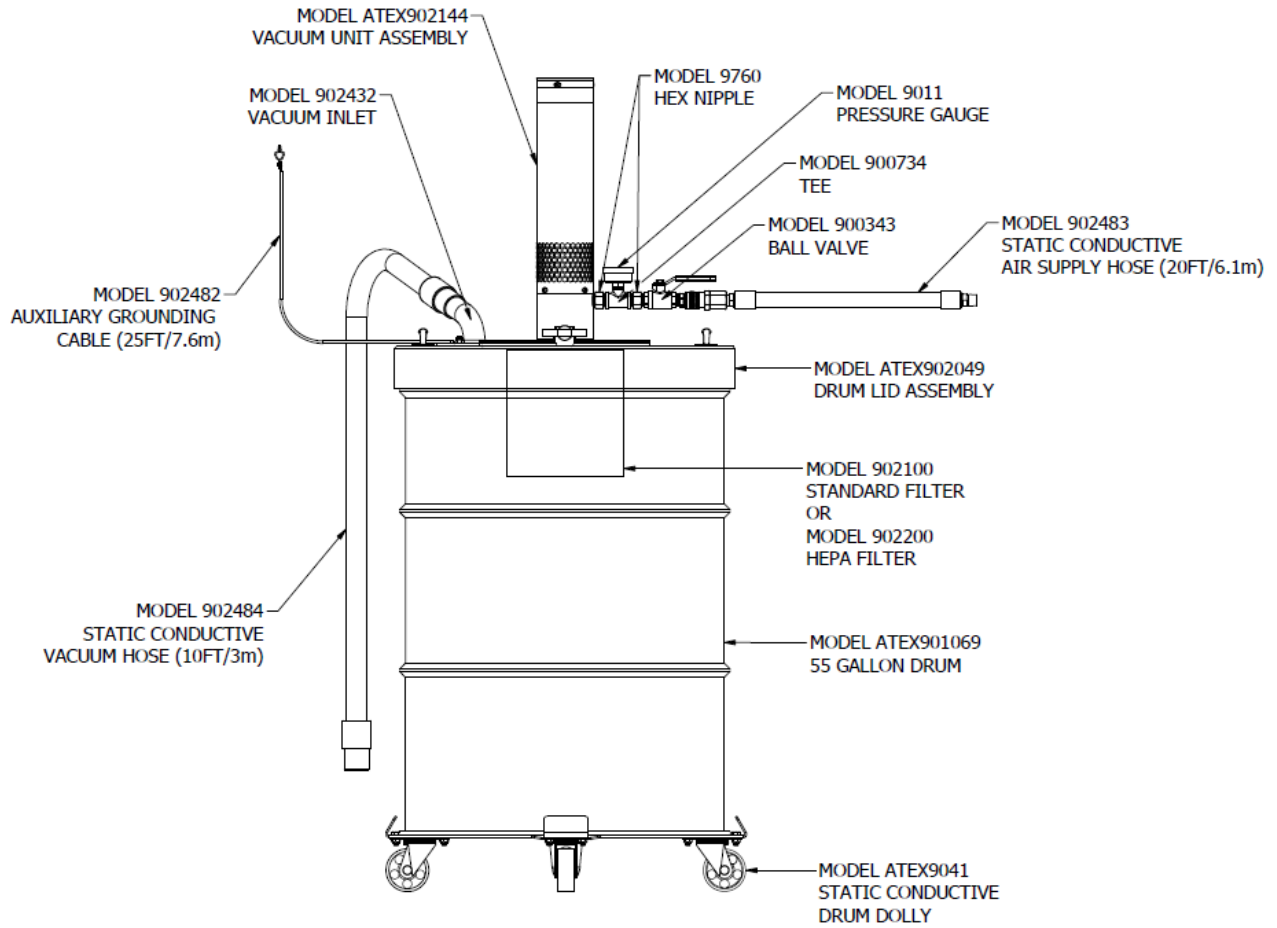
Using this vacuum to recover combustible liquids can create an ignition hazard and may result in fire, explosion, or serious injury.

The EXAIR ATEX EasySwitch Vacuum System has been designed to operate in ambient temperature environments of 0°C (32°F) $< t_a < 65^{\circ}\text{C}$ (150°F). *Where t_a = ambient temperature*

GENERAL








ILLUSTRATED SYSTEM, SPARE PARTS, & ACCESSORIES LIST

Labeled ATEX6301/ATEX6303 System Diagram



Compatible Accessories List

Illustration	Model Number	Description
	901021	2-Piece Extension Wand
	901022	12 inch / 305mm Floor Tool
	901023	11 inch / 280mm Crevice Tool

	901024	24 inch / 610mm Crevice Tool
	901025	Skimmer Tool
	901027	Round Dust Brush (Conductive Bristles)
	6812	Extension Wand
	ATEX901176	Bonded Toolholder
	9006	Oil Removal Filter – ¾ NPT – 150 SCFM
	9032	Filter Separator – ½ NPT – 90 SCFM

Replacement Parts List

Model Number	Description
902483	20FT / 6.1m Conductive Air Supply Hose
902484	10FT / 3m Conductive Vacuum Hose
902482	25FT / 7.6m Auxiliary Grounding Cable
ATEX9041	Conductive Drum Dolly
ATEX901069	55 Gallon Drum with Conductive Contact Points
902100	Standard Filter
ATEX902200	HEPA Filter
902431	Filter Grounding Prong
902176	Exhaust Muffler Packing Kit
902187	Rubber Latch Repair Kit
902473	Lid-Drum Grounding Braid
902471	1FT / 0.3m Grounding Cable
902559	Drum Lid Gasket
902184	Filter Port Trim Gasket
902032	Vacuum Unit Gasket
902432	Vacuum Inlet
902470	Vacuum Inlet Gasket
ATEX901176	Bonded Tool Holder

9011	¼ MNPT Pressure Gauge
9760	½ MNPT X ½ MNPT Adapter
900743	½ FNPT X ½ FNPT X ¼ FNPT Tee
900343	½ FNPT X ½ FNPT Manual Ball Valve

VACUUM ATEX MARKING

 CE  II 2GD X h IIC T6 Gb h IIIC T85°C Db AMBIENT TEMP RANGE 0°C ≤ Ta ≤ 65°C EN17348 WT	Model ATEX6301/ATEX6303 Serial Number Year of Manufacture Manufactured by: EXAIR LLC 11510 Goldcoast Drive Cincinnati, OH 45249 EU Authorized Representative: BETE Deutschland Dr.-C.-Otto-Straße 190 44879 Bochum, Germany
--	---

This vacuum system is certified for use in hazardous environments where explosive gases or dust may be present. The ATEX marking provides detailed information about the safety and suitability of the equipment:

Marking: II 2GD X h IIC T6 Gb / h IIIC T85 °C Db

What it means:

- **II** – For use in general industrial environments (not mining).
- **2GD** – Safe to use in areas where explosive **gases (Zone 1)** or **dust (Zone 21)** may be present.
- **X** – Special consideration indicator: Electrically conductive components must be used to maintain safety and compliance ratings.
- **h** – Built to prevent ignition through safe construction (no sparks or hot surfaces).
- **IIC** – Approved for operation in the presence of all common explosive gases, including hydrogen.
- **T6** – Surface temperature stays below 85 °C to avoid igniting gases.
- **Gb / Db** – High level of protection for both gas and dust environments.
- **IIIC** – Suitable for use in explosive atmospheres containing conductive dusts.
- **T85 °C** – Surface temperature will not exceed 85 °C in dusty areas.

The EXAIR ATEX EasySwitch Vacuum System has been designed to operate in ambient temperature environments of **0°C (32°F) < ta < 65°C (150°F)** *Where ta = ambient temperature*

Important:

It is the end user's responsibility to verify that this vacuum system is appropriate for their facility's specific hazardous area classification (zone, gas group, and temperature class). Always consult your site safety officer or hazardous area coordinator to confirm compliance with local regulations before use.

DEDICATED GROUNDING POSTS

The EXAIR ATEX EasySwitch offers (2) dedicated grounding posts, located on the vacuum inlet tube. One post is to be used for the **Model 902482 Auxiliary Grounding Cable**, and the other is to be used with the **Model ATEX901176 Toolholder** for proper bonding. These posts are denoted with the following GROUND symbol label:

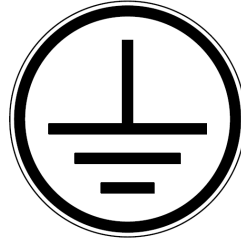


Figure 1: GROUND (GND) Symbol Label

WARNING – Connect only (1) GROUND apparatus per grounding post. Stacking grounds is not acceptable.

SAFETY WARNINGS, CAUTIONS, & NOTES

Definitions:

- **WARNINGS** imply that non-compliance could lead to serious injury or death.
- **CAUTIONS** imply that non-compliance could lead to minor injury or equipment harm.
- **NOTES** are for helpful information and recommended practices.

WARNING – Personal Protective Equipment (PPE) must be worn at all times during setup, operation, maintenance, and media disposal. This includes, but is not limited to, protective eyewear, gloves, and anti-static clothing appropriate for ATEX environments. **Additional PPE requirements set by your facility must also be followed.** Failure to comply may result in serious injury or death.

WARNING – Maintenance shall only be performed after the vacuum system has been isolated from all energy sources and moved to a non-hazardous location.

WARNING – Do not attempt to clean the vacuum by rubbing with a dry cloth. Always use a damp cloth to eliminate the risk of static charge buildup.

WARNING – When in regular use, this appliance may contain dusts or liquids hazardous to health. Emptying and maintenance operations shall only be carried out by authorized personnel wearing suitable personal protection.

WARNING – Empty the collection drum and clean the suction hose after each use. Do not allow collected substances to sit inside the vacuum cleaner for extended periods of time. An excessive accumulation of collected substances can create ignition hazards.

WARNING – Before using the vacuum cleaner to collect a substance different than previously collected, thoroughly clean the vacuum cleaner, including the filter, suction hose, and accessories. Clean system in a non-hazardous location.

CAUTION – Remove the vacuum filter (Standard or HEPA) if using the vacuum for liquid collection. Liquid collection can damage the filter if installed.

WARNING – Use only genuine EXAIR filters for the ATEX EasySwitch Vacuum System.

TECHNICAL SPECIFICATIONS

SEAL & FILTRATION EFFICIENCY

To ensure safe operation in environments containing **explosive dusts**, this vacuum design has undergone **seal integrity** and **filtration efficiency** testing. These tests demonstrate that the unit effectively prevents the escape of hazardous dust and maintains proper containment under normal operating conditions.

This section summarizes the results of these performance tests. These values provide users with the necessary information to determine whether the system is suitable for their application, and to highlight the importance of maintaining seals and filters throughout the life of the equipment.

It is the **user's responsibility** to ensure all seals and filters remain in good working condition and are replaced or maintained according to the manufacturer's guidance.

Efficiency Results

Model Tested	Particle Size	Efficiency
ATEX6301 Vacuum System with 902100 Standard Filter installed	16-523 nm	68%
ATEX6303 Vacuum System with ATEX902200 HEPA Filter installed	16-523 nm	99%

COMPRESSED AIR REQUIREMENTS

Compressed air lines should be sized to hold pressure drops to a minimum. When installing supply lines, use 1/2" pipe up to 50' (15.2m) long. If additional compressed air hose is required, it should be 3/4" I.D. up to 25' (7.6m). Use only the supplied quick connect fittings which have been sized appropriately. Do not use restrictive fittings such as additional quick connects or reducers that can "starve" the ATEX EasySwitch Vac by causing excessive line pressure drop. **WARNING – Use only static conductive air supply lines such as line included with EXAIR ATEX EasySwitch Vacuum Systems.**

Performance Specifications at Recommended Operating Pressures

Supply Pressure		Air Consumption		Lift		Vacuum Flow		Sound Level
PSI	BAR	SCFM	SLPM	"H ₂ O	mm Hg	CFM	LPM	dBA
80	5.5	53	1,500	168	314	90	2,548	79
90	6.2	59	1,670	190	355	92	2,605	80
100	6.9	65	1,840	210	392	94	2,661	82

NOTE – Ensure the facility compressed air system can supply the stated consumption value for the desired input pressure.

It is recommended that the ATEX EasySwitch Vac be supplied with normal shop air up to 100 PSIG (6.9 BAR, 689 kPa). Proper filtration and separation of dirt, moisture, and oil from the compressed air supply is essential to ensure the EasySwitch operates at maximum efficiency. Use a 10 micron or smaller filter separator on the compressed air supply (Model 9032 Automatic Drain Filter Separator not included). To prevent problems associated with oil, use an oil removal filter (Model 9006 Oil Removal Filter not included). The oil removal filter should be used downstream from the automatic drain filter separator. Filters should be used close to the EasySwitch. Maximum input pressure is 250 PSIG (17.2 BAR, 1.72 MPa).

If air preparation units other than EXAIR models are being used, please note the following:

- **PRESSURE REGULATORS** – Must be pressure relieving and rated for a supply pressure of 250 PSIG (17.2 BAR, 1.72 MPa). Suggested operating pressure is 5-125 PSIG (0.3-8.6 BAR, 34-862 kPa). Flow should be minimum 80 SCFM (2265 SLPM).
- **AUTO DRAIN FILTER SEPARATORS** – Must be rated for a supply pressure of 250 PSIG (17.2 BAR, 1.72 MPa) and have 10 micron or smaller filtration. Flow should be minimum 80 SCFM (2265 SLPM).
- **OIL REMOVAL FILTERS** – Must be rated for a supply pressure of 250 PSIG (17.2 BAR, 1.72 MPa) and have 0.03-micron filtration. Flow should be minimum 80 SCFM (2265 SLPM).

WARNING – All chosen air supply lines, fittings, and accessories (filters, regulators, separators) must be constructed to conduct electricity to maintain a strong connection to earth.

FILTRATION SYSTEM

The EXAIR ATEX EasySwitch Vacuum System is offered with two filter options: Model 902100 Standard Filter or Model ATEX902200 HEPA Filter. The HEPA Filter will capture a smaller particle size, but it will also require more frequent cleaning/maintenance.

Vacuum filters can become clogged with regular use. See "Routine Inspections, Service, and Cleaning" section for filter cleaning instructions.

WARNING – Use Only EXAIR Filters – This vacuum system has been tested and certified using **EXAIR-branded filters**. The use of non-original or third-party filters may compromise the system's **filtration efficiency, grounding continuity, and compliance with safety requirements** for use in explosive atmospheres. **Always replace filters with genuine EXAIR components** to ensure safe and proper operation. Failure to do so may result in fire, explosion, injury, or death.

CAUTION – Uninstall the filter when using the ATEX EasySwitch Vacuum System to recover liquids. Liquids can damage the filter.

GROUNDING & BONDING

All EXAIR ATEX EasySwitch Wet-Dry Vacuum Systems come standard with multiple options for grounding. To ensure safe operation in explosive environments, the vacuum system **must** be connected to one or more path(s) to ground during operation.

Air Supply Hose Grounding

The air supply hose [Model 902483] shipped with the ATEX EasySwitch Vacuum is electrically conductive. If the facility supply lines are constructed from a conductive material, such as steel or copper, the vacuum system will be grounded through the air supply hose.

WARNING – It is imperative to verify any electrical ground sites used in the operating environment. **DO NOT** extend the air supply hose with a hose that is not electrically conductive.

Drum Dolly Grounding

If the surface on which the ATEX EasySwitch Vacuum System sits is electrically conductive and grounded, the vacuum system will be grounded through the provided drum dolly equipped with iron casters [Model 9041-ATEX].

WARNING – It is imperative to verify any electrical ground sites used in the operating environment. **Use only drum dollies specifically designed for static conductivity, such as the EXAIR Model 9041-ATEX 55-Gallon Drum Dolly.**

Auxiliary Grounding Cable

The ATEX EasySwitch Vacuum System includes a 25FT (7.6m) length of grounding wire with a bonding clamp fixed to one end, and a ring terminal on the other end. The vacuum system can be grounded by attaching the ring terminal to the ¼-20 threaded post on the vacuum hose inlet assembly, and attaching the bonding clamp to a reliable facility ground point.

WARNING – It is imperative to verify any electrical ground sites used in the operating environment. **DO NOT** attach the bonding clamp to painted surfaces – ground points should be only corrosion-free, bare metal contacts.

NOTE – It is recommended that all facility-ground connections are verified by a licensed electrician before use.

BONDING & CONTINUITY CHECKS

To maintain safety, it is recommended to perform routine Bonding and Continuity checks to ensure the unit is functioning properly. See *Routine Bonding & Continuity Checks* in the *ROUTINE INSPECTION, SERVICE, & CLEANING* section of this manual for this procedure.

ROUTINE INSPECTION, SERVICE, & CLEANING

Ensure the ATEX EasySwitch Vacuum System is disconnected from the compressed air supply and relocated to a non-hazardous environment before performing any maintenance work.

Dirty filters can put back pressure on the EasySwitch Vac, resulting in reduced suction. The Standard Filter and HEPA Filter can be removed and shaken out or replaced. Always use appropriate caution and disposal methods of the dust or debris being recovered. **DO NOT ATTEMPT TO WASH THE STANDARD FILTER OR THE HEPA FILTER.**

If contaminants have clogged the EasySwitch vacuum unit, disconnect the compressed air supply and remove all screws to disassemble the unit. Inspect each part for dirt contamination and a possible oil film on the flow generator. Clean each part and reassemble. The EasySwitch unit consists of a body, a flow generator, an exhaust, and a muffler attached to the body. The screws that hold the muffler to the body are on the bottom of the Muffler. The exhaust unthreads from the body. When reassembling, make sure the exhaust is fully threaded in to ensure proper vacuum flow.

ROUTINE BONDING & CONTINUITY CHECKS

It is encouraged to routinely perform a comprehensive bonding test to ensure proper grounding throughout the vacuum system. Continuity checks are required after any disassembly of the vacuum system. A continuity check can be performed by utilizing a Digital Multimeter (DMM) and setting it to read Resistance (Ohms).

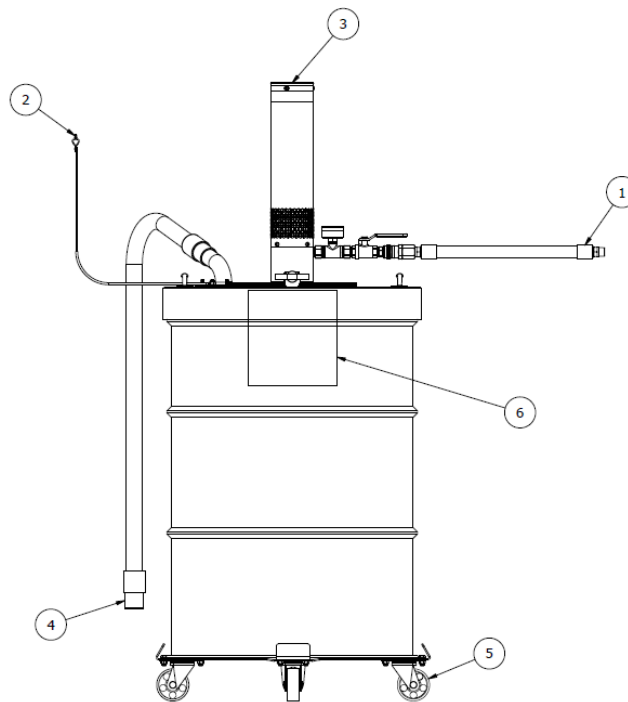


Figure 2: Diagram of Bonding Reference Points

Using the DMM, measure Resistance (Ohms) between each labeled point as shown in the table below:

Bonding Reference	Description	Required Resistance Reading
(1) – (2), (3), (5), (6)	Using point (1) Conductive Supply Hose as the reference, measure resistance to (2) Aux. Ground Clamp , (3) Vacuum Unit Top Cap , (5) Caster Wheel , and (6) Outside Filter Cage	Less than 10 Ohms
(4) – (1), (2), (3), (5), (6)	Using point (4) Vacuum Hose Cuff as the reference, measure to All Other Labeled Points	Less than 500 Ohms

WARNING – Do not operate the vacuum if any resistance readings exceed the Required Resistance Reading thresholds. Inspect all bonding points and connections and make sure they are free of dirt and corrosion.

NOTE – Hatch must be in CLOSED position during all bonding tests

DRUM LID GASKET REPLACEMENT

The foam lid gasket is a critical sealing component that ensures proper contact between the vacuum lid and the drum. Over time, the gasket may become compressed, torn, or contaminated, reducing the effectiveness of the system seal. This procedure outlines how to safely replace the adhesive-backed foam gasket.

Required Materials:

- Replacement gasket (EXAIR Model 902559)
- Isopropyl alcohol or approved surface cleaner
- Clean, lint-free cloth
- Plastic scraper or putty knife (non-metallic)
- Utility knife

Procedure:

1. **Depressurize and Power Down the System**
 - Ensure the vacuum system is off, disconnected from the air supply, and located in a non-hazardous area before beginning work.
2. **Remove the Lid from the Drum**
 - Detach the lid from the drum and place it on a clean, stable work surface with the gasket side facing up.
3. **Remove the Braided Grounding Strap**
 - Remove (1) 1/4-20 lock nut and bolt to remove Braided Grounding Strap.
4. **Remove the Old Gasket**
 - Carefully peel away the old gasket material.
 - Use a plastic scraper to remove any residual adhesive without scratching or gouging the coated lid surface.
5. **Clean the Gasket Surface**
 - Wipe the gasket mounting surface thoroughly with isopropyl alcohol or approved cleaner.
 - Allow the surface to dry completely before proceeding.
6. **Apply the New Gasket**
 - Start at one point on the lid's perimeter and gradually apply the 902559 adhesive-backed gasket along the sealing edge.
 - Press firmly to ensure full contact and adhesion.
 - Using a utility knife, trim any excess gasket material as needed, ensuring the ends are butted tightly without gaps or overlaps.
7. **Reinstall Braided Grounding Strap**
 - Reinstall (1) 1/4-20 lock nut and bolt with Model 902473 Braided Grounding Strap.
 - The Braided Grounding Strap should rest on top of the foam gasket when viewed from the bottom of the lid assembly. See the *Figures 3 & 4* below for proper installation orientation:



Figure 3: Top View of Ground Strap Installation



Figure 4: Bottom View of Ground Strap Installation

8. Inspect the Installation

- Check that the gasket is evenly applied with no lifting edges, folds, or air gaps.
- Reinstall the lid and verify that it sits flat and seals properly against the drum lip.

WARNING – After gasket replacement, a full system continuity check **must be performed** to verify proper electrical bonding between all components (including the drum, dolly, lid, hoses, tools, filter, and vacuum unit).

COLLECTION DRUM PREPARATION

The ATEX EasySwitch Vacuum System is designed to operate with UN-rated open-head 55-gallon steel drums (1A2). If using a drum other than the EXAIR ATEX901069, it is crucial to ensure proper bonding on the top lip and bottom lip of the drum. Manual removal of paint or corrosion may be necessary to achieve adequate bonding.

To ensure proper electrical bonding throughout the vacuum system, it is critical that bare metal contact points are established on the **top lip** and **bottom lip** of the metal 55-gallon drum. This provides a reliable conductive path for static discharge and complies with grounding requirements in ATEX-classified environments.

WARNING – This task must be performed only by **trained personnel** using appropriate Personal Protective Equipment (PPE). Sparks generated during grinding pose a fire hazard – **do not perform this procedure in or near explosive atmospheres.**

Surface Preparation for Electrical Bonding

Required Tools:

- Right angle grinder (with guard installed)
- Abrasive flap wheel
- PPE: Safety goggles, gloves, hearing protection, flame-resistant clothing, and respiratory protection as required by facility guidelines

Procedure:

1. Prepare the Work Area:

Ensure the work area is free from flammable vapors or combustible materials. This procedure must be conducted **outside of the hazardous (classified) zone**. Always wear appropriate PPE.

2. Inspect the Drum:

Visually inspect the 55-gallon metal drum for coatings, rust, or paint along the top and bottom lips. Mark the areas to be cleaned.

3. Install the Flap Wheel:

Attach the abrasive flap wheel to the angle grinder according to the tool manufacturer's instructions. Confirm the wheel is rated for the grinder's speed.

4. Secure the Drum:

Place the drum on a stable surface or fixture to prevent movement during grinding.

5. Grind the Contact Areas:

Using the angle grinder and flap wheel, **gently remove paint, rust, or coatings** from the top and bottom lips of the drum (See figure below).

- Do **not** remove excessive base material.
- Grind only until clean, bare metal is visibly exposed around the full circumference of each lip.
- Ensure consistent surface contact area of at least ½ inch / 12 mm width.

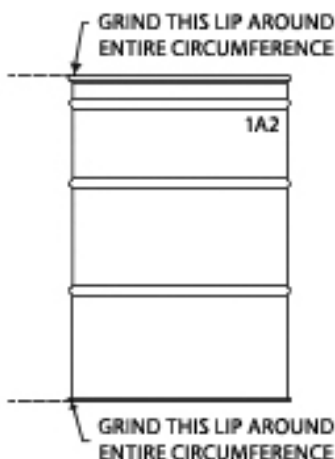


Figure 5:
Surface
Preparation
Diagram

6. **Inspect the Results:**

Visually verify that clean, conductive metal has been exposed. The prepared areas should be free of debris, paint, and corrosion.

WARNING – This system must only be used with a conductive metal drum. Non-metallic (plastic or composite) drums cannot be grounded and do not provide adequate protection against static discharge, posing a significant risk of ignition in ATEX-rated environments.

Using a non-metal drum will void certification and may result in fire, explosion, serious injury, or death.

WARNING – After preparing the drum surfaces, a full system continuity check **must be performed** to verify proper electrical bonding between all components (including the drum, dolly, lid, hoses, tools, filter, and vacuum unit).

MUFFLER PACKING MATERIAL REPLACEMENT

The muffler packing is a porous material that works to reduce the noise emissions of the vacuum unit without affecting the performance of the system. Over time, the packing may become dirty or clogged and warrant replacement.

Required Tools:

- Replacement Muffler Packing Kit (EXAIR Model 902609)
- 3/32" Hex Key

Procedure:

1. **Remove (3) button head cap screws located at the top of the vacuum unit**
 - Remove aluminum cap from top of vacuum unit and set aside.
2. **Remove (4) button head cap screws located near base of vacuum unit**
 - Slide the muffler sleeve off the vacuum unit, exposing the Muffler Packing material and wire cage.
 - Slide the Muffler Packing material, wire cage, and bonding strip off the vacuum unit.
3. **Remove old Muffler Packing from wire cage**
 - Install new Muffler Packing in wire cage.
4. **Slide new Muffler Packing, wire cage, and bonding strip onto the vacuum unit**
 - Manually hold Muffler Packing, Wire Cage, and bonding strip in place.
5. **Slide Muffler Sleeve over the Muffler Packing, wire cage, and bonding strip**
 - Ensure the bonding strip is located correctly between the Muffler Sleeve and Vacuum Body unit.
 - Fasten the (4) button head cap screws near the base of the Muffler Sleeve to secure in place.
6. **Place the circular Muffler Packing Pads on top of the Muffler Sleeve**
 - Place the Aluminum Cap on top of the Muffler Sleeve, ensuring the bonding strip is correctly located between the Muffler Sleeve and Aluminum Cap. The bonding strip must be fastened through one of the bolt holes (top & bottom).
 - Fasten the (3) button head cap screws at the top of the muffler Sleeve to secure the Aluminum Cap.

WARNING – After preparing the drum surfaces, a full system continuity check **must be performed** to verify proper electrical bonding between all components (including the drum, dolly, lid, hoses, tools, filter, and vacuum unit).

WARNINGS FOR FORESEEABLE MISUSES

WARNING – Filter Removal

Remove HEPA or standard filter when vacuuming up liquids. Liquids can damage the filters.

WARNING – Proper Grounding

Always ensure Auxiliary Grounding Cable is attached to a reliable facility ground.

WARNING – Handle Components with Care

All vacuum attachments, hoses, and filters must be handled **carefully and deliberately**. Dropping or striking components—especially on hard surfaces—can generate **mechanical sparks**, posing a serious **ignition risk** in explosive atmospheres. Always **place components gently**, avoid impact with metal surfaces, and always follow proper grounding practices.

WARNING – Safe Lid Operation

The vacuum system must not be operated unless the lid latch is securely fastened. An unlatched lid can result in:

- Loss of containment of hazardous materials
- Ineffective vacuum performance
- **Compromised electrical bonding**, increasing the risk of static discharge

Failure to secure the lid may lead to serious injury, equipment damage, or ignition in ATEX-classified environments.

WARNING – Static Electricity

Do not wipe down vacuum system in a hazardous environment as static buildup can occur. System should be moved to a non-hazardous location before cleaning.

EU DECLARATIONS OF CONFORMITY



EU DECLARATION OF CONFORMITY

We **EXAIR LLC**

11510 Goldcoast Drive, Cincinnati, Ohio, USA 45249

declare under our sole responsibility that the products

ATEX EasySwitch Wet/Dry Vacuums Models ATEX6301, ATEX6303

to which this declaration relates is in conformity with the following standard(s) or other normative document(s)

ATEX Directive (2014/34/EU)

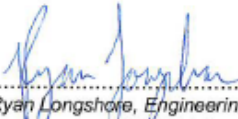
- IEC/EN ISO 80079-36 (Non-electrical equipment for explosive atmospheres – Basic method and requirements)
- IEC/EN ISO 80079-37 (Non-electrical equipment for explosive atmospheres – non-electrical type of protection constructional safety “c”, control of ignition source “b”, liquid immersion “k”)
- DIN/EN 17348 (Requirements for design and testing of vacuum cleaners for use in potentially explosive atmospheres)

Product Marking

 CE  II 2GD X h IIC T6 Gb h IIIC T85°C Db <small>AMBIENT TEMP RANGE 0°C ≤ Ta ≤ 65°C EN17348 WT</small>	<small>Model ATEX6301/ATEX6303</small> <small>Serial Number</small> <small>Year of Manufacture</small> <small>Manufactured by:</small> EXAIR LLC <small>11510 Goldcoast Drive Cincinnati, OH 45249</small> <small>EU Authorized Representative:</small> BETE Deutschland <small>Dr.-C.-Otto-Straße 190 44879 Bochum, Germany</small>
--	--

Cincinnati, Ohio, USA 05-August-2025

Place, Date


 Ryan Longshore, Engineering Manager,
 EXAIR LLC

11510 Goldcoast Drive • Cincinnati, OH, USA 45249 • (513) 671-3322 Fax (513) 671-3363
Toll free in U.S. 1-800-903-9247 • E-mail: techhelp@exair.com • Web Site: www.exair.com

CE



DECLARATION OF CONFORMITY

We EXAIR LLC

11510 Goldcoast Drive, Cincinnati, Ohio, USA 45249

declare under our sole responsibility that the products:

Chip Vac Models 6093, 6193, 6293 and 6393

Heavy Duty Dry Vac Models 6097, 6197, 6297 and 6397

Reversible Drum Vac Models 6091, 6196, 6296 and 6396

Chip Trapper Model 6198

Each of the above may be followed by a -5, -30 or -110 to denote drum size other than 55 gallon.

High Lift Reversible Drum Vac Models 6095, 6195, 6295 and 6395. Each may be followed by -30 or -110 to denote the drum size other than 55 gallon.

High Lift Chip Trapper Models 6190, 6190-30 and 6190-110

Heavy Duty HEPA Vac Models 6199, 6299, 6399 and 6399-110

Vac-U-Guns Models 6092 and 6094

EasySwitch Wet/Dry Vac Models 6101, 6201, 6301, 6103, 6203 and 6303

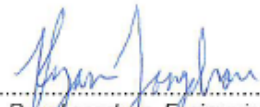
ATEX EasySwitch Wet/Dry Vac Models ATEX6301, ATEX6303

to which this declaration relates is in conformity with the following standard(s) or other normative document(s)

Machinery Directive (2006/42/EC)
IEC/EN ISO 4414:2010 (New harmonized standard covering Pneumatic fluid power – General rules and safety requirements for systems and their components)

Cincinnati, Ohio, USA 10-April-2023

Place, Date


Ryan Longshore, Engineering Manager,
EXAIR LLC

11510 Goldcoast Drive • Cincinnati, OH, USA 45249 • (513) 671-3322 Fax (513) 671-3363
Toll free in U.S. 1-800-903-9247 • E-mail: techhelp@exair.com • Web Site: www.exair.com

MATERIALS OF CONSTRUCTION

The components of this vacuum system are constructed from materials selected for their strength, durability, and compatibility with a wide range of industrial media. However, it is the **user's responsibility** to verify that all materials in contact with the collected media are **chemically and physically compatible** with the substances being vacuumed.

Use of the system with incompatible materials may result in **equipment damage, degraded performance, or hazardous chemical reactions**—particularly in ATEX-classified environments.

Before use, carefully review the material specifications listed below and consult the appropriate chemical compatibility resources or safety personnel if unsure. Failure to comply may result in fire, explosion, serious injury, or death.

Component Material List

Component	Materials Present
Vacuum Unit	6061 Aluminum, Carbon Steel, Buna-N Rubber, Polyester, Wool Felt
Lid Assembly	Carbon Steel, Powder Coating, Nylon, Rubber, Foam
Drum (EXAIR-provided)	Carbon Steel, Epoxy-Phenolic Lining
Drum Dolly	Carbon Steel, Powder Coating, Stainless Steel
Conductive Air Supply Hose	EPDM, Brass, Steel, Buna-N Rubber
Conductive Vacuum Collection Hose	Ester-Polyurethane Plastic
Auxiliary Ground Cable	Tinned Copper, PVC, Steel, Polyolefin
Standard Filter	Galvanized Steel, Polyester-Cellulose Blend Filter, Neoprene
HEPA Filter	ABS Plastic, Galvanized Steel, Urethane, Neoprene, Glass Fiber
Vacuum Inlet	304 Stainless Steel, 18-8 Stainless Steel
Vacuum Tools	6061 Aluminum

EQUIPMENT SETUP & OPERATION

INITIAL SETUP

WARNING – All initial setup steps must be completed in a **non-hazardous location**.

1. **Unboxing**
 - Carefully remove all components from packaging and inspect for damage.
2. **Drum Dolly Assembly**
 - Assemble the ATEX9041 Drum Dolly according to the included instructions in **Appendix A**. Ensure all fasteners are tight.
3. **Lid Assembly**
 - Attach the vacuum head and filter grounding prong to the lid with the included hardware and gasket. See **Appendix B** for detailed, illustrated instructions.
4. **Vacuum and Filter Assembly**
 - Place assembled vacuum lid on drum. Open hatch and place filter in the unit. **CAUTION – Do not install filter if using vacuum for liquid collection.**
5. **Vacuum Hose & Air Supply Hose**
 - Connect the vacuum hose and air supply hose to their respective ports. Check for secure, airtight connections.
6. **Vacuum Tools**
 - Attach the required vacuum tool for the application. Confirm the tool is in good condition and suitable for use with the intended collection media.
7. **Continuity/Bonding Check**
 - **REQUIRED** – Perform comprehensive bonding test using a Digital Multimeter according to instructions in **Routine Bonding and Continuity Checks** section of this manual.

OPERATION

1. **Operator Qualifications**
 - Only trained and authorized personnel may operate the vacuum system.
2. **Pre-Operation Inspection**
 - Before each use, inspect the following:
 - Proper bonding and grounding (e.g., air supply ground, auxiliary ground)
 - Filter presence and correct installation (as required by application)
 - Rubber hatch clamp properly secured
3. **Connecting Air Supply**
 - Connect the air supply hose to both the facility air source and the vacuum system.
4. **System Activation**
 - Use the ball valve to start or stop vacuum operation. The ball valve can be used to restrict air supply and reduce vacuum suction by adjusting it to a partially open position. Ensure suction remains sufficient for material collection.

EMPTYING THE VACUUM & WASTE DISPOSAL

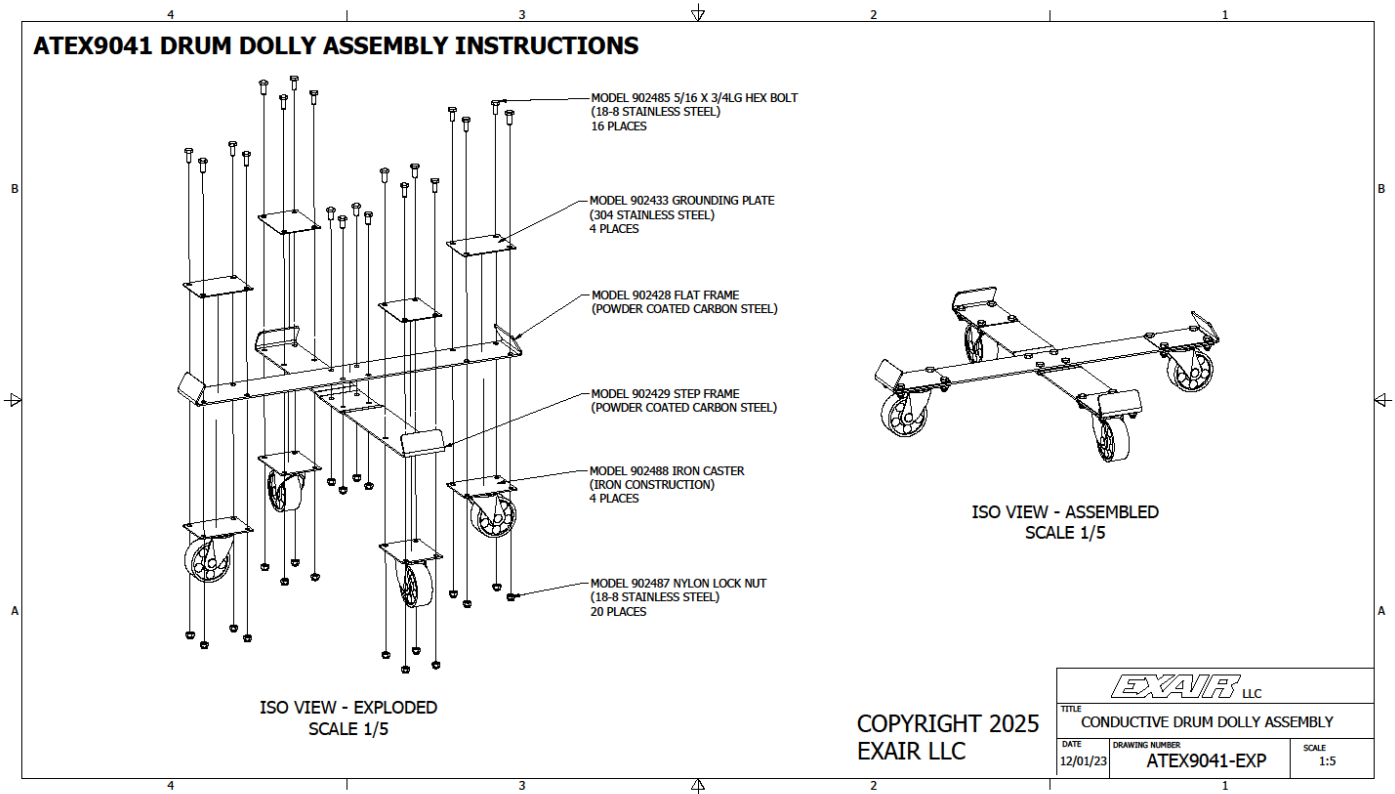
1. **Personnel Requirements**
 - Only trained personnel may perform emptying and disposal procedures.
2. **Transport**
 - Keep the vacuum lid secured in place during transport to the designated disposal area. Use caution when transporting, and ensure the path is free of obstructions.
3. **Lid Removal**
 - Ensure the rubber lid latch is securely fastened.
 - If equipped, remove Toolholder Bonding Cable from Vacuum Inlet Stud.
 - Using the handles located on the top of the lid, lift the lid assembly off the drum and set aside.
4. **Disposal Method**
 - Follow proper disposal protocols based on the material collected. Refer to site-specific or regional hazardous waste guidelines where applicable.

TROUBLESHOOTING

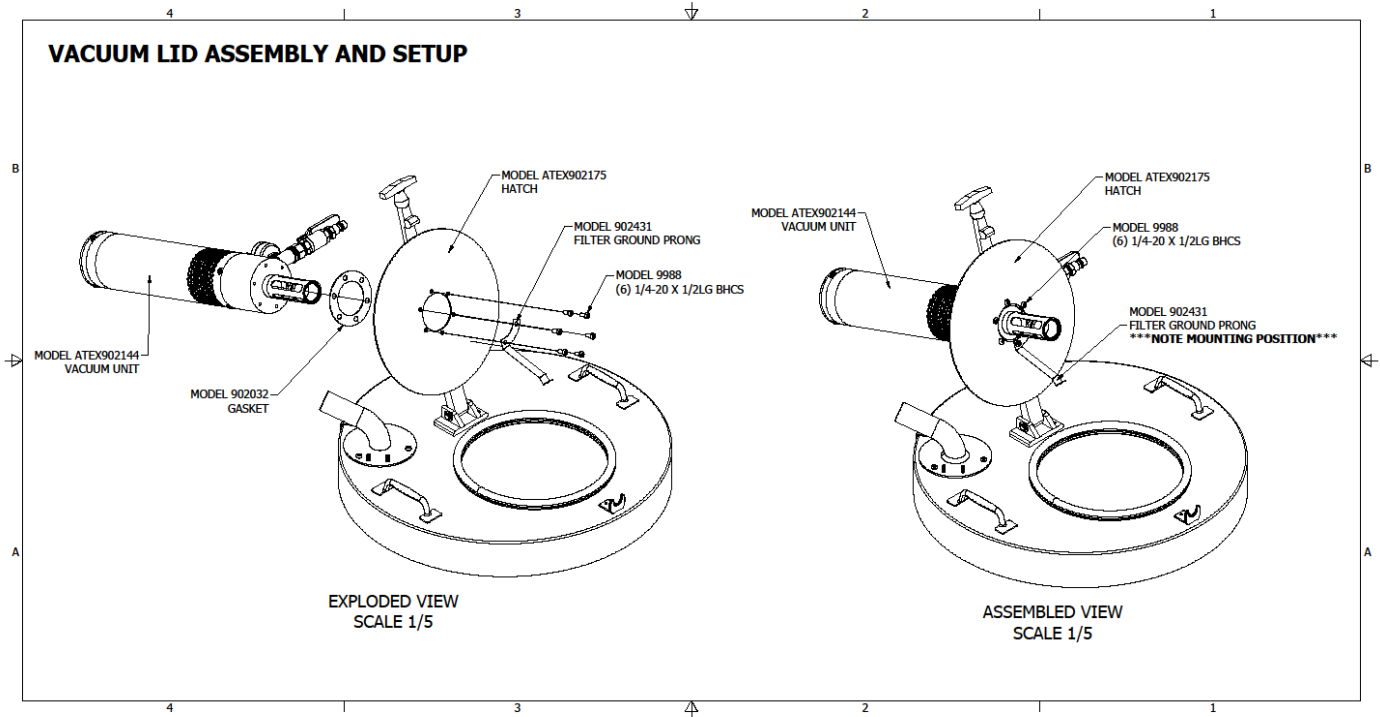
1. Reduced performance – check filter (see routine maintenance section), clean vacuum generator (see **ROUTINE INSPECTION, SERVICE, & CLEANING** section), Check that air supply is free of restrictions.
2. Static issues – **immediately stop operation** and move unit to a non-hazardous location. Perform comprehensive continuity and bonding check

APPENDICES

Appendix A – ATEX9041 Drum Dolly Assembly Instructions



Appendix B – Vacuum Lid Assembly and Setup Instructions



If routine cleaning does not solve your performance problems, please contact an EXAIR Application Engineer at:
 Toll Free: 1-800-903-9247 (U.S. & Canada)
 Telephone: 513 671-3322 outside of U.S. & Canada
 Toll Free Fax: 866-329-3924 (U.S. & Canada)
 FAX: 513 671-3363 outside of U.S. & Canada
 E-mail: techelp@exair.com
 Website: www.exair.com

For more information about this product, visit
 "Frequently Asked Questions" at www.exair.com
FAQ at www.EXAIR.com